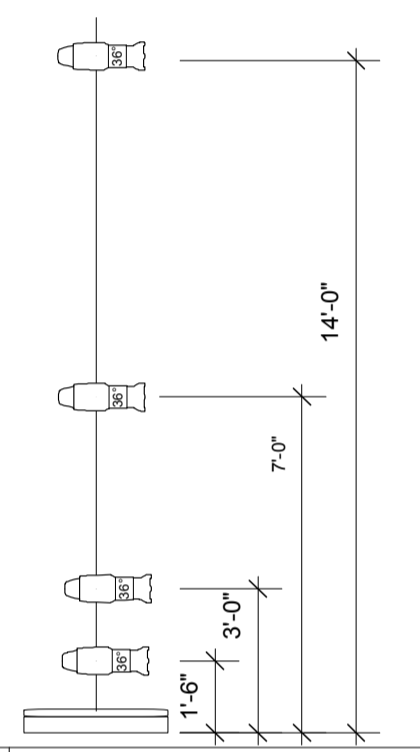


Loading Dock
Height: 3'-3"

Production Office
Bob Woods: Tech. Director
Chris Bell: Asst. Tech. Dir.

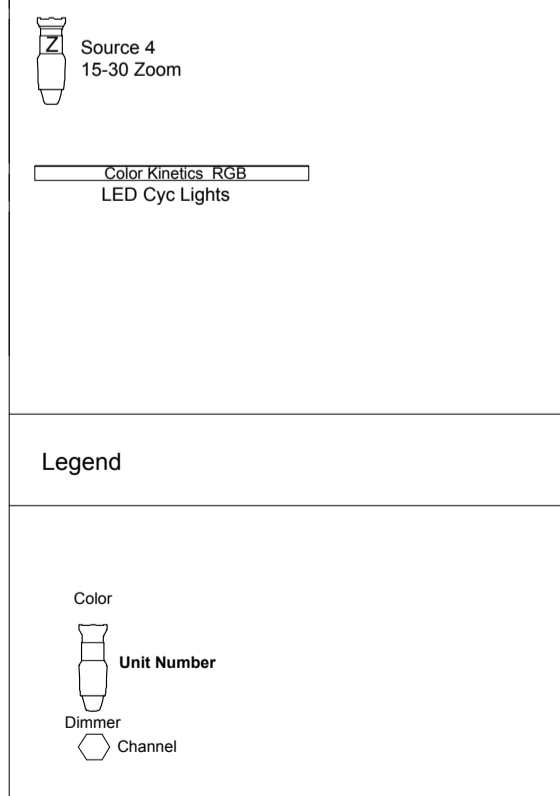
Tel: 561/207-5906
Fax: 561/207-5904
Woodsr@pbcc.edu
Bellc@pbcc.edu

- NOTES:**
1. Proscenium Width: 44'-0"
 2. Proscenium Height: 22'-0"
 3. Curtain Line to Back Wall: 34'-6"
 4. Curtain Line to Last Lisset: 30'-0"
 5. Depth of Apron at CL: 18'-0"
 6. Width of Stage Wall to Wall: 72'-0"
 7. Height under fly gallery: 18'-0"
 8. Loading Door: 8'-6" wide
8'-0" high
 9. Grid Height: 70'-0"
 10. Legs are hung at 22'-0" from CL creating a 44'-0" opening. The legs can be traveled up to 8' on stage to create a 28' opening.
 11. Placement of FOH positions not drawn to scale.
 12. All FOH Lighting fixtures use 750W lamps. Stage fixtures use 575W lamps.



Instruments
(We are Rosco House)

- PAR 64 WFL
- Source 4 PAR Wide
- Source 4 10deg
- Source 4 14deg
- Source 4 19deg
- Source 4 26deg
- Source 4 36deg
- Source 4 60deg
- Source 4 15-30 Zoom
- AF1000 Strobe
- Apollo Spectra Q Scroller
- Colors: Clear, Chocohale (R39), Apricot (R317), Soft Golden Amber (R321), Deep Amber (R22), Tasty Apple Red (AP332), Peach Pink (R24), Broadway Pink (R339), Madia Lavender (R356), Rose Indigo (R338), Congo Blue (L113), Pale Violet (L142), Sky Blue (R65), Jordan Blue (R346), Med. Blue Green (L116), Moss Green (R89)
- Extra Fixtures: 22 units
- Extra Barrels: 10 10 degrees, 20 19 degrees, 13 26 degrees, 3 36 degrees
- VL1000



Scale:
1/4"=1'-0"

Repertory Light Plot
Redrawn by Bob Woods

**Palm Beach Community College
Eissey Campus Theatre**
Revised 08/2009